



## CHAIN DRIVEN LIVE ROLLER CURVE CONVEYOR

Chain Driven Live Roller (CDLR) Curve Conveyors are ideal for transporting loaded pallets, tires, drums or other heavy items. The welded construction makes them rugged and durable enough to handle even the toughest conditions. The sprocketed rollers and roll to roll chain system provide positive driving power to the product.

### SPECIFICATIONS

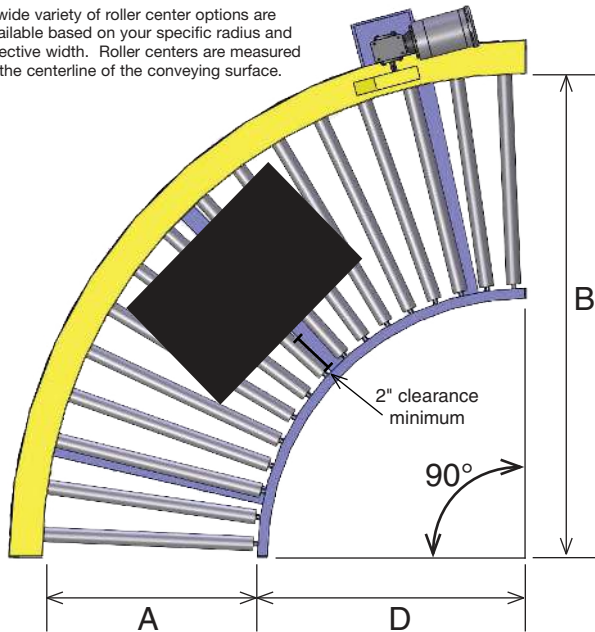
- 30°, 45°, 60° and 90° turns
- 36" minimum inside radius
- Effective width in any increment 12" to 64"
- Up to 80 FPM max speed
- Floor supports, side guides and end stops available
- Powder coat finish standard

**\*Expanded product parameters available**

Ref.	1.9"	2.5"	2.6"	3.5"
A	12" - 54"	12" - 64"		
B	Up to 116"			
C	12" - 48"			
D	36" Minimum			

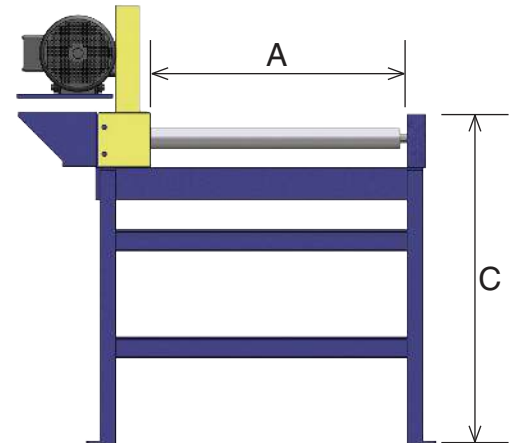
A = Effective Width  
 B = Outside Radius (OR)  
 C = Top of Roller (TOR)  
 D = Inside Radius (IR)  
 PW = Package Width  
 PL = Package Length

A wide variety of roller center options are available based on your specific radius and effective width. Roller centers are measured at the centerline of the conveying surface.



A = minimum effective width that your package requires to maintain 2" of clearance as it navigates the curve.

$$A_{\min} = \sqrt{(D + PW)^2 + (PL/2)^2} - (D-2)$$



## ROLLER CHAIN AND SPROCKET SPECIFICATIONS

ROLLER DIAMETER	SPROCKETS AND CHAINS	TUBE DETAIL		AXLE DETAIL			MAX LOAD	FRAME
	Series	Wall Thickness	Material	Size	Type	Retention*	lbs.	Structural Channel
1.9"	40 Series	0.145"	Mild Steel or Galvanized	7/16"	Hex	Spring or Pin	1500	5 x 6.7#
	50 Series	0.145"	Mild Steel or Galvanized	7/16"	Hex	Spring or Pin	1500	5 x 6.7#
	60 Series	0.145"	Mild Steel or Galvanized	7/16"	Hex	Spring or Pin	1500	6 x 8.2#
2.5"	40 Series	11 ga.	Mild Steel or Galvanized	11/16"	Hex	Spring or Pin	2500	5 x 6.7#
	50 Series	11 ga.	Mild Steel or Galvanized	11/16"	Hex	Spring or Pin	2500	5 x 6.7#
	60 Series	11 ga.	Mild Steel or Galvanized	11/16"	Hex	Spring or Pin	2500	6 x 8.2#
2.6"	40 Series	0.180"	Mild Steel or Galvanized	11/16"	Hex	Spring or Pin	3500	5 x 6.7#
	50 Series	0.180"	Mild Steel or Galvanized	11/16"	Hex	Spring or Pin	3500	5 x 6.7#
	60 Series	0.180"	Mild Steel or Galvanized	11/16"	Hex	Spring or Pin	3500	6 x 8.2#
	80 Series	0.180"	Mild Steel or Galvanized	11/16"	Hex	Spring or Pin	3500	6 x 8.2#
3.5"	60 Series	0.300"	Mild Steel	1-1/16"	Hex	Pin	6000	7 x 9.8#
	80 Series	0.300"	Mild Steel	1-1/16"	Hex	Pin	6000	8 x 11.5#

\*Dependent upon between frame dimension

## CDLR - CURVE

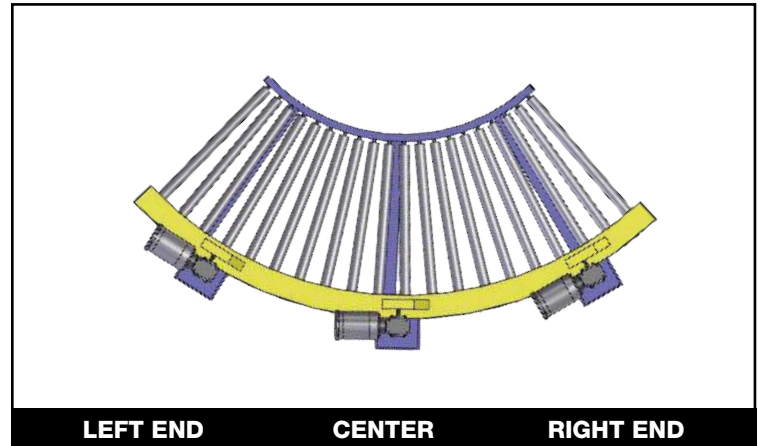
### DRIVE SPECIFICATIONS

#### 208-230/460VAC - 3 PHASE - 60 Hz

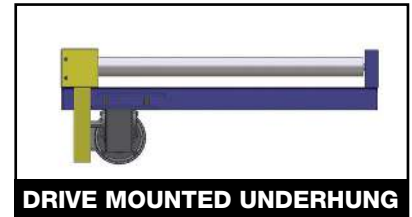
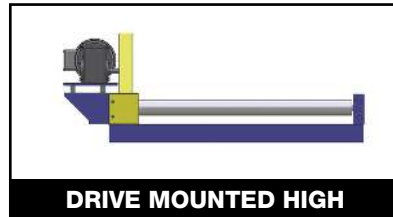
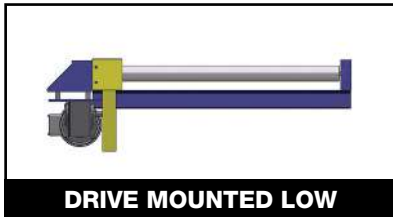
- Totally enclosed fan cooled
- 1750 RPM
- Inverter capable 4:1 speed ratio
- 1.00 service factor
- Sealed worm gear "C" face speed reducer

#### 115/230VAC - 1 PHASE - 60 Hz

- Totally enclosed fan cooled
- 1750 RPM
- 1.15 service factor
- Sealed worm gear "C" face speed reducer
- 80 FPM



### DRIVE MOUNTING OPTIONS AVAILABLE



### ROLLER CONFIGURATIONS



### ROLLER CAPACITY INFORMATION

The Maximum Roller Capacity chart is designed to help determine the size of the roller required for a given load and length. Use only 2/3 of the rollers under the product when calculating the required roller capacity because the conveying surface of products may not always be flat.

#### NON-PRECISION BEARING (NP)

Non-Precision bearings are made of a stamped metal housing with very loose tolerances. They are not intended for very heavy loads or high speeds.

#### PRECISION BEARINGS (P)

Precision Bearings are made from high quality steel, heat treated to uniform hardness and ground to a micro finish. The tolerances are much tighter than semi-precision bearings making them capable of greater speeds and load capacities but sensitive to axle deflection causing misalignment.

