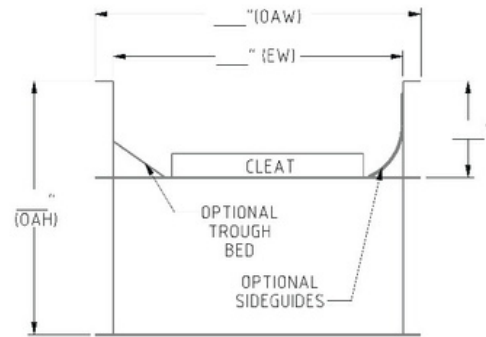
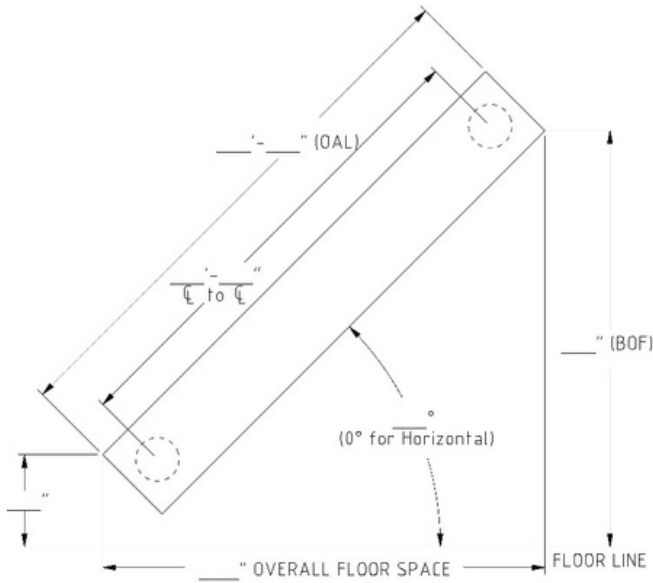


SLIDER BED CONVEYOR WORKSHEET: "A, B"

Customer _____ Phone # _____
 _____ Date ____/____/____ P.O. # _____
 _____ Quote # _____ Job # _____
 Contact _____ Delivery _____ Salesperson _____



Voltage: _____ Volt _____ phase _____ Hz

Trough Bed: YES NO
 Belt Speed: _____ FPM

Belting Specification

- Belt Type: PVC
 White
 Black
 Rubber
 Other _____
- Cleats: 1" on _____" Centers
 2" on _____" Centers
 3" on _____" Centers
 none

Material Specification

Product: _____

 Size: _____" Dia. _____" Tall
 _____" Long _____" Wide _____" High
 Density: _____#/cu.ft. Throughput: _____lbs/hour
 Live Load: _____lbs. (while the conveyor is running)
 Temperature: _____Deg. F. (product)
 _____Deg. F. (environment)
 Liquids: _____

Methods

How will product be introduced to conveyor? _____

 Describe impact: _____lbs.
 will drop _____" to belt
 Hours per day of operation _____
 Indoors Outdoors

MSDS Available? YES NO

ACCESSORIES

Controls:

- Start/Stop:
- A/C Frequency Controller:
- DC Controller:
- E-Stop:
- Pull Cord E-Stop:
- Washdown:

Other:

Describe what you would like to accomplish: _____

Infeed Hopper:
 (Please draw concept)

Discharge Chute:
 (Please draw concept)

Other Optional Features:

- Supports:
- Side Guide Material:
- Belt Brush/Scraper:
- Reinforced Bed Section: > How long? _____ ft.
- Metal Free Zone: > Please Describe: _____
- Flared Side Skirts: > Please Describe: _____
- V-Guided Belt:
- Top Covers: > Please Describe: _____

External Take-up Bearings:

- Variable Motor:
- Magnetic Drive Pulley:

Stainless Steel Options:

- Frame:
- Legs:
- Washdown Pulley:
- Washdown Drive:
- Aluminum Frame: